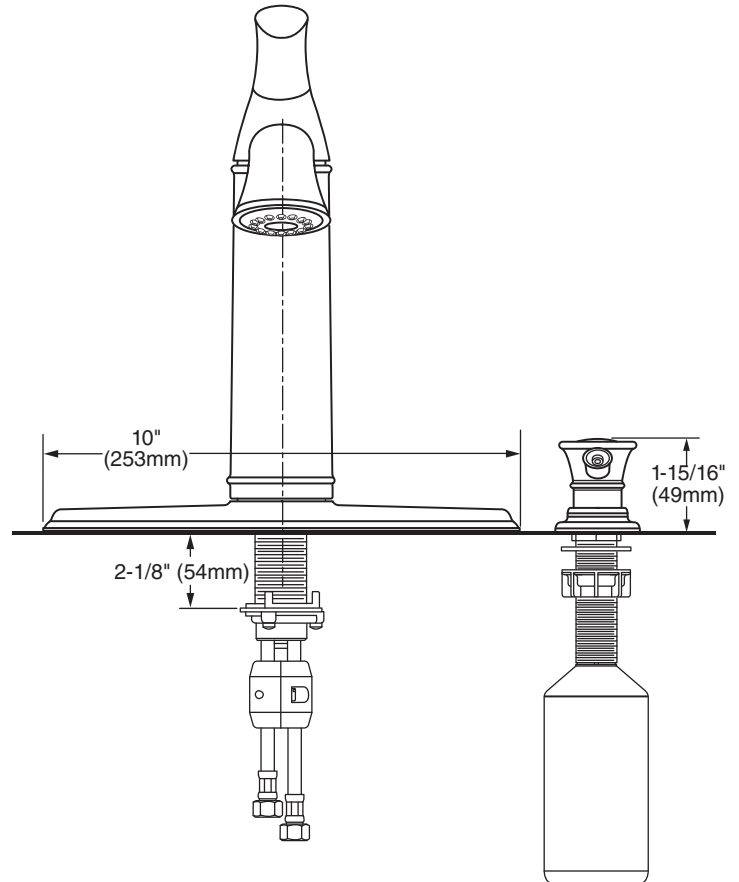
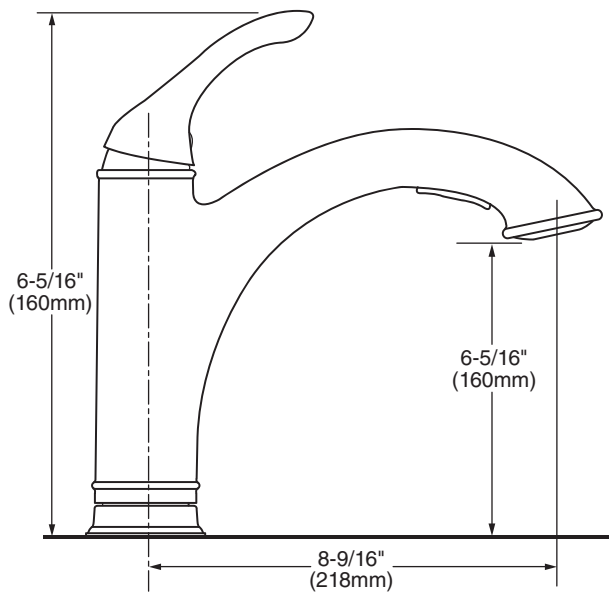




MODEL NUMBER:

- **9174.101.075 Kitchen Faucet with Pull-Out Spray Spout**
Escutcheon plate (installation is optional). Soap dispenser.
Stainless Steel (PVD) finish. SKU# 352669.



GENERAL DESCRIPTION:

Metal body and metal escutcheon plate. Swivel pull-out spray spout. Adjustable spray pattern with push button activation. Nylon reinforced hose is 48" (1250mm) long. Washerless 47mm ceramic disc valve cartridge with integral hot limit safety stop. Braided flexible supply hoses with 3/8" compression connections. Brass mounting shank with brass fixation ring. Complete with two integral check valves. 1.8 gpm/6.8L/min. maximum flow rate. Can be mounted with or without supplied escutcheon plate (escutcheon size 10-1/4"L x 2-1/2"W).

PRODUCT FEATURES:

Ceramic Disc Valve Cartridge: Assures smooth, precise valve control and a lifetime of drip-free, maintenance-free performance.

Memory Position Valving: Allows user to turn valve on and off at preferred temperature setting without readjusting handle position each time.

Adjustable Hot Limit Safety Stop: Limits the amount of hot water allowed to mix with cold. Reduces the risk of accidental scalding.

Lead Free: Faucet contains ≤ 0.25% total lead content by weighted average.

Integral Check Valves: Prevents back flow.

Pull-out Spray Spout: Switches water flow from a stream to a spray. Simplifies even the most difficult cleaning tasks.

Finish: Stainless Steel (PVD).

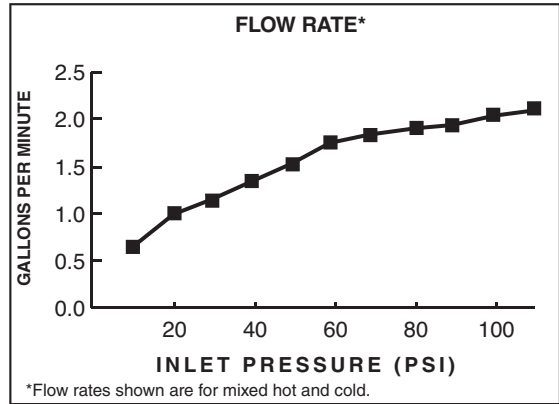
SUGGESTED SPECIFICATION:

Single control kitchen faucet shall feature a swivel pull-out spray spout, metal escutcheon plate and metal lever handle. Shall also feature washerless ceramic disc valve cartridge with integral hot limit safety stop, flexible supply hoses and two integral check valves. Fitting shall be American Standard Model # 9174.101.075, SKU# 352669.


CODES AND STANDARDS

These products meet or exceed the following codes and standards:

- ANSI A117.1**
- ASME A112.18.1**
- NSF 61/Section 9 & Annex G**
- CSA B125**



Product Number	Description
9174.101.075	Kitchen faucet with pull-out spray spout. Soap dispenser. Stainless Steel (PVD) finish. SKU# 352669.

 Meets the American Disabilities Act Guidelines and **ANSI A117.1** Requirements for the physically challenged.